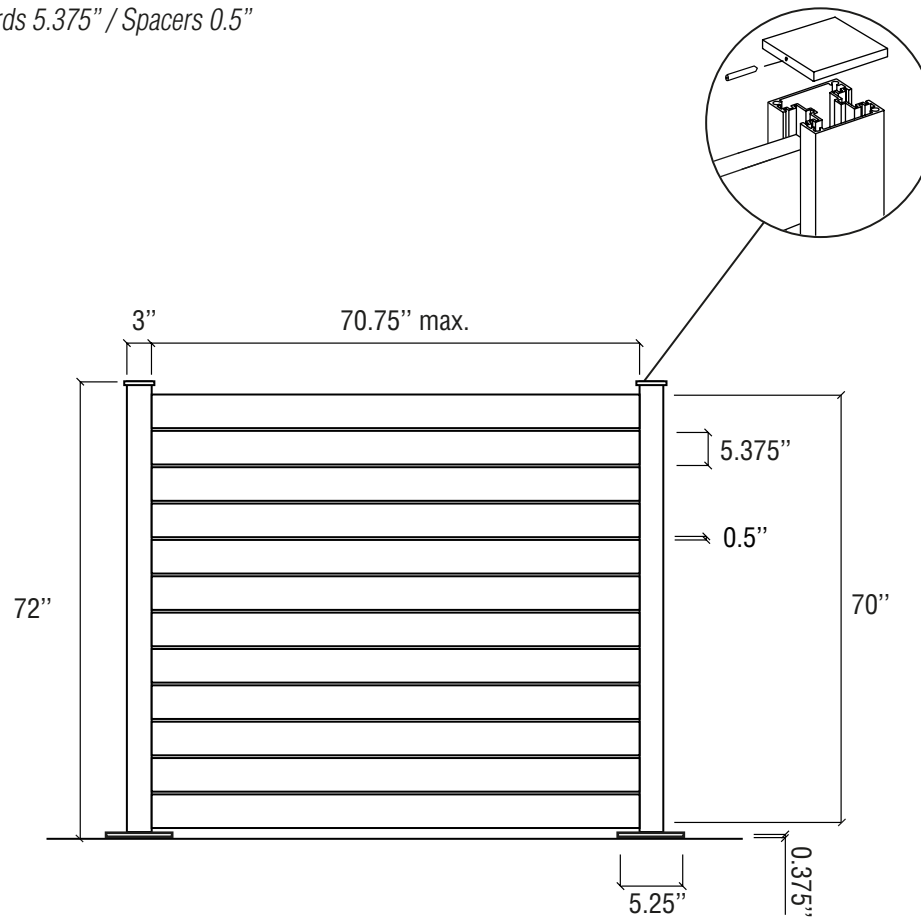


TECHNICAL DRAWING

DESSIN TECHNIQUE

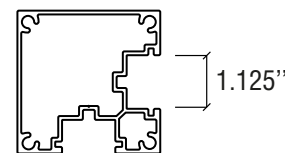
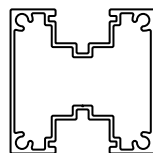
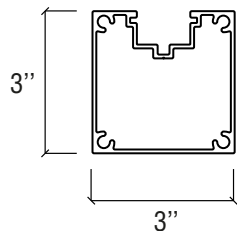
Example of a 6' x 6' section / Boards 5.375" / Spacers 0.5"



NOTES :

1. All elements included in the HOFT kits are made of aluminum and set screws of stainless steel.
2. Make sure that all posts are aligned and leveled, and anchor posts using anchor screws for wood, composite or cement.

*All posts' wall thicknesses are 2 mm or more.



HOFT

1-844-826-6393
info@hoftsolutions.com
www.hoftsolutions.com